

GC-20 Geiger Counter, Dosimeter and Radiation Monitoring Station

Build Guide

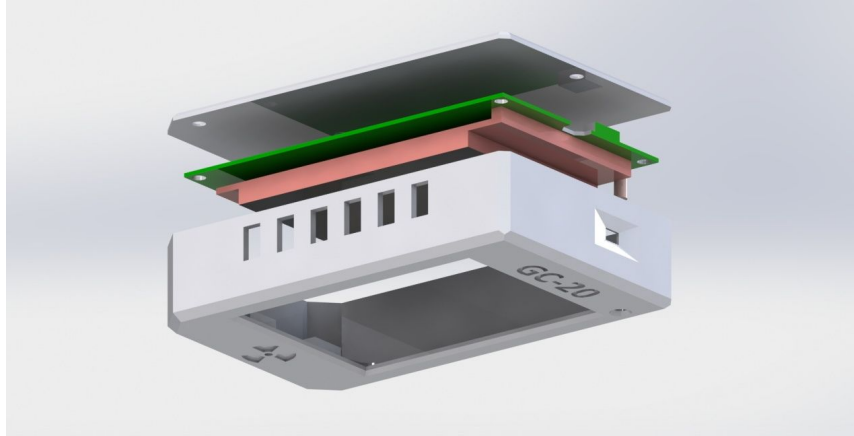


Figure 1: Rendering of the CAD model

All hardware design files for the GC-20 are available at my GitHub page at github.com/pra22/GC20. This includes the Solidworks CAD assembly, STL files for 3D printing, Gerbers for the PCB, and a PDF schematic of the circuit that contains the part numbers of all electronic components as purchased from LCSC. The passive components are all of size 1206. Most components are SMT, with the exception of the JST connector, LED, D1 Mini, TFT LCD display, the battery charger board, and the connections to the Geiger tube.

The GC-20 uses the Russian SBM-20 Geiger tube. This tube is capable of detecting hard beta and gamma radiation. To keep the size compact, I opted to use the kind with both ends taken off, as shown in the figure below.



Figure 2: SBM-20 tubes with exposed leads. The protruding rod is the anode and the tube body is the cathode

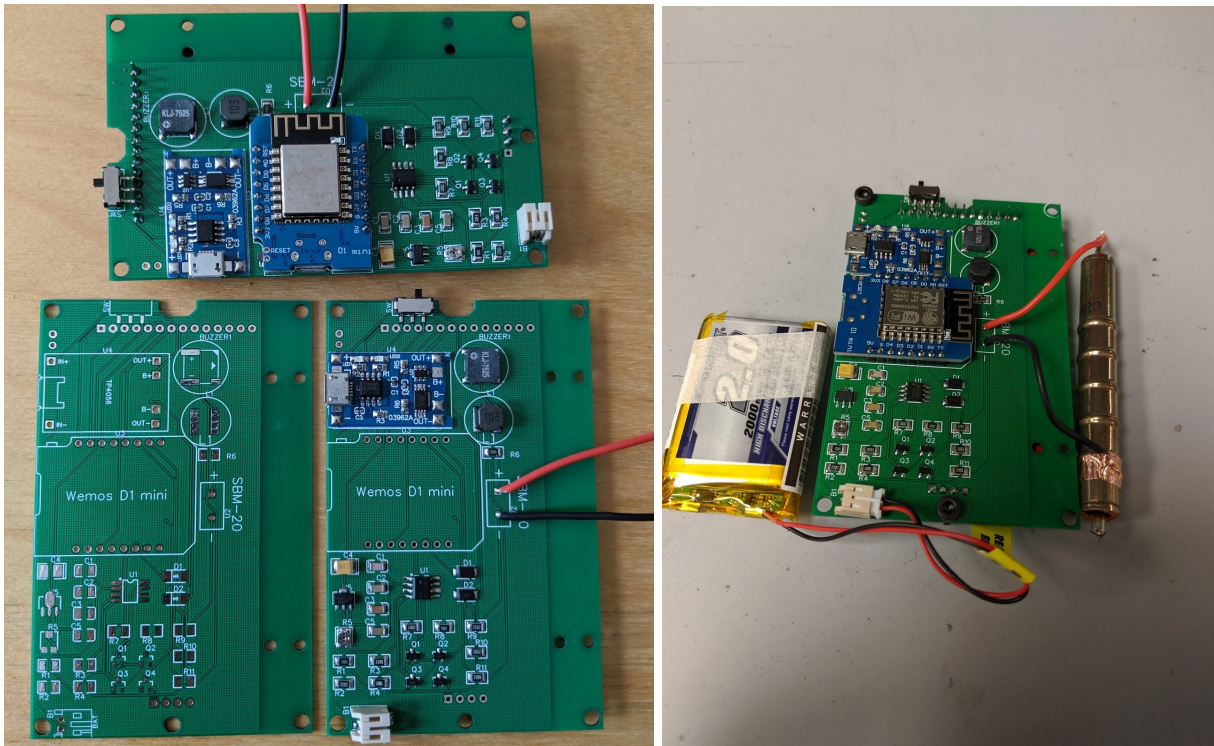


Figure 3: PCBs at various stages of assembly

I used a toaster oven and a stencil to solder the SMT components and found that this method works well. All parts are labeled and correctly represent the schematic part numbers.

Note: The battery charger board should be soldered like an SMD component by placing it over the pads and flowing solder into the holes. Their hole spacing is odd and won't fit standard 0.1 in male headers.

The circuit is based on the following schematic diagram:

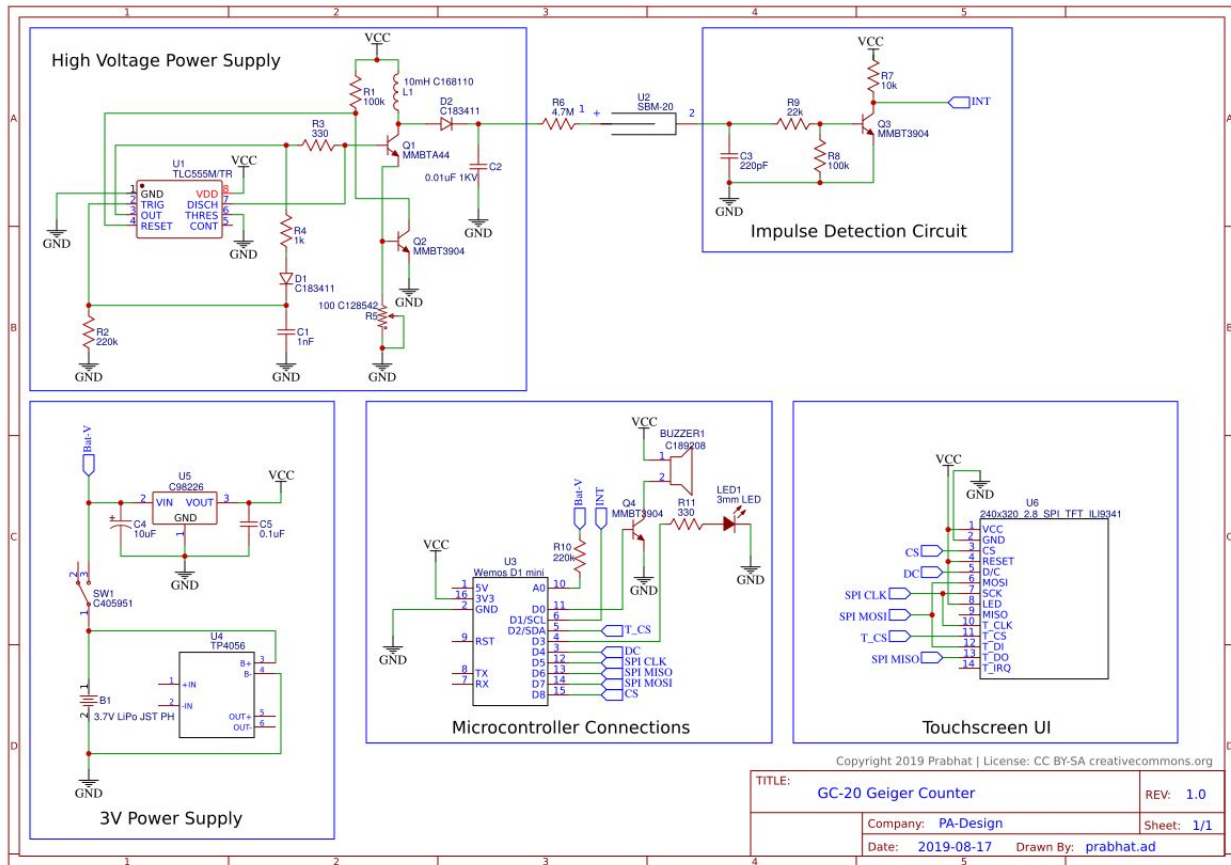


Figure 4: Complete Circuit Schematic

The part labels for each component in the schematic are either the manufacturer’s part number or the LCSC product number. Find them by searching on LCSC’s website. If you prefer to use a different supplier such as Digikey, the equivalent parts can be found by first reading the product description at LCSC. There are no rare or special components, but I had some trouble finding a 10 mH Ferrite core inductor that worked. The PDF version of this schematic can be found in my GitHub page for a clearer view of the circuit.

The order list from LCSC is as follows:

| LCSC order information for electronic components for the GC-20 | | | |
|--|---------------------------|------------------|---------------|
| Reference Designator | Value/Description | LCSC Part Number | Footprint |
| U1 | CMOS 555 timer | C383061 | SOP-8 |
| U5 | 3V LDO linear regulator | C98226 | SOT-89 |
| C1 | 1 nF MLCC 50V | C1885 | 1206 |
| C2 | 10 nF 1000V | C107192 | 1206 |
| C3 | 220 pF MLCC 500V | C106036 | 1206 |
| C4 | 10 uF Tantalum | C119050 | CASE-B_3528 |
| C5 | 100 nF MLCC | C82601 | 1206 |
| R1 | 100K | C17900 | 1206 |
| R2 | 220K | C17956 | 1206 |
| R3 | 330 | C104763 | 1206 |
| R4 | 1K | C4410 | 1206 |
| R5 | 100 Ohm Variable Resistor | C128542 | Custom |
| R6 | 4.7M | C37800 | 1206 |
| R7 | 10K | C140407 | 1206 |
| R8 | 100K | C17900 | 1206 |
| R9 | 22K | C25830 | 1206 |
| R10 | 220K | C17956 | 1206 |
| R11 | 330 | C104763 | 1206 |
| D1 | Fast recovery 600V diode | C183411 | SMAF |
| D2 | Fast recovery 600V diode | C183412 | SMAF |
| Q1 | NPN Transistor 200mA 400V | C181174 | SOT-23 |
| Q2 | NPN Transistor 200mA 40V | C111113 | SOT-23 |
| Q3 | NPN Transistor 200mA 40V | C111113 | SOT-23 |
| Q4 | NPN Transistor 200mA 40V | C111113 | SOT-23 |
| L1 | 10 mH Power Inductor | C168108 | Custom |
| BUZZER1 | Magnetic Buzzer | C189208 | 7.5*7.5*2.5mm |
| SW1 | Power switch SMD | C405951 | Custom |
| B1 | JST PH battery connector | C265016 | TH, 2mm pitch |
| LED1 | Red LED 3mm | C330752 | TH |

The following table lists the components used to make the full assembly, NOT including the discrete electronic components to be ordered from LCSC or a similar supplier.

| Part Name | Quantity | Link |
|---|----------|---|
| PCB | 1 | Order from any manufacturer using the Gerber files |
| Wemos D1 mini | 1 | https://www.amazon.com/IZOKEE-NodeMcu-Internet-Development-Compatible/dp/B076F53B6S/ref=sr_1_5?keywords=D1+mini&qid=1569094374&s=gateway&sr=8-5 |
| 2.8" TFT LCD Touchscreen with SPI interface | 1 | https://www.amazon.com/HiLetgo-240X320-Resolution-Display-ILI9341/dp/B073R7BH1B/ref=sr_1_3?keywords=tft+lcd+touch+spi&qid=1569094450&s= |

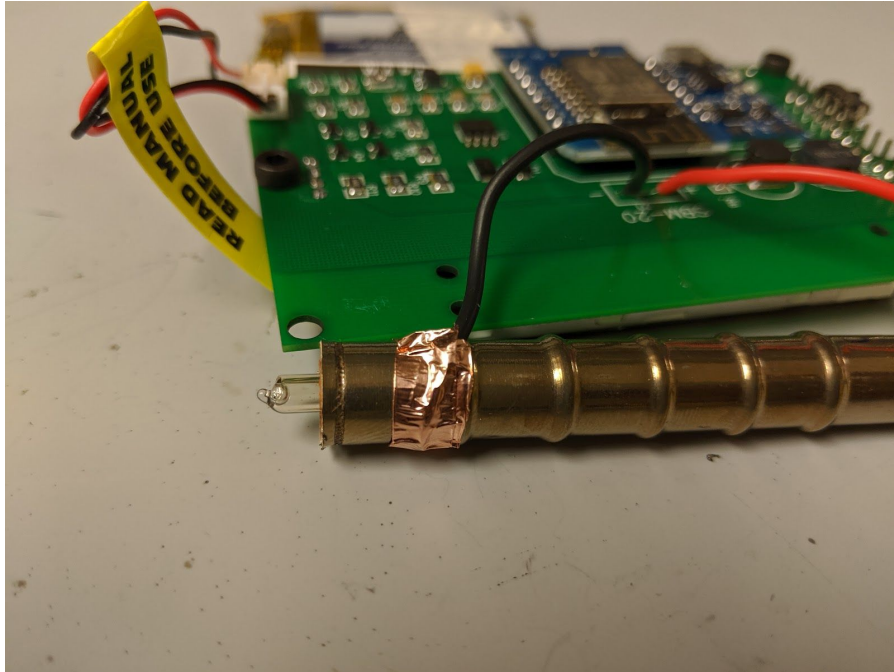
| | | |
|---|--------|---|
| | | gateway&sr=8-3 |
| SBM-20 Geiger Tube with ends off | 1 | Many sellers on ebay and other sites. Goes in and out of stock at various online stores. |
| 3.7 V LiPo Charger board | 1 | https://www.amazon.com/Makerfocus-Charging-Lithium-Battery-Protection/dp/B071RG4YWM/ref=sr_1_5?keywords=3.7v+battery+charger+board&qid=1569094608&s=gateway&sr=8-5 |
| Turnigy 3.7V LiPo battery and JST connector | 1 | https://hobbyking.com/en_us/turnigy-2000mah-1s-1c-lipoly-w-2-pin-jst-ph-connector.html |
| M3 x 22mm Countersunk screws | 3 | https://www.mcmaster.com/91294a137 |
| M3 x 8mm hex head machine screws | 3 | https://www.amazon.com/M3-0-50-Socket-Stainless-Machine-Quantity/dp/B01L0E1TAY/ref=sr_1_14?keywords=m3+8mm+machine+screws&qid=1569095687&s=gateway&sr=8-14 |
| M3 brass threaded insert | 6 | https://www.amazon.com/Uxcell-a16041800ux0824-Knurlled-Threaded-Embedment/dp/B01IYWTCWW/ref=sr_1_3?crd=2HA0QXKNMSBWV&keywords=m3+brass+insert&qid=1569095827&s=gateway&prefix=m3+brass+ins%2Caps%2C151&sr=8-3 |
| Conductive copper tape | 1 roll | https://www.amazon.com/gp/product/B07R8QBSZ3/ref=ppx_yo_dt_b_asin_title_o01_s00?ie=UTF8&psc=1 |

Other miscellaneous parts, equipment and supplies include:

- Soldering Iron
- Hot Air soldering station (optional)
- Toaster Oven for SMD reflow (optional, either do this or the hot air method)
- Solder wire
- Solder paste
- Stencil (optional)
- 3D printer
- PLA filament
- Silicone-insulated stranded wire 22 gauge
- Hex keys

Steps:

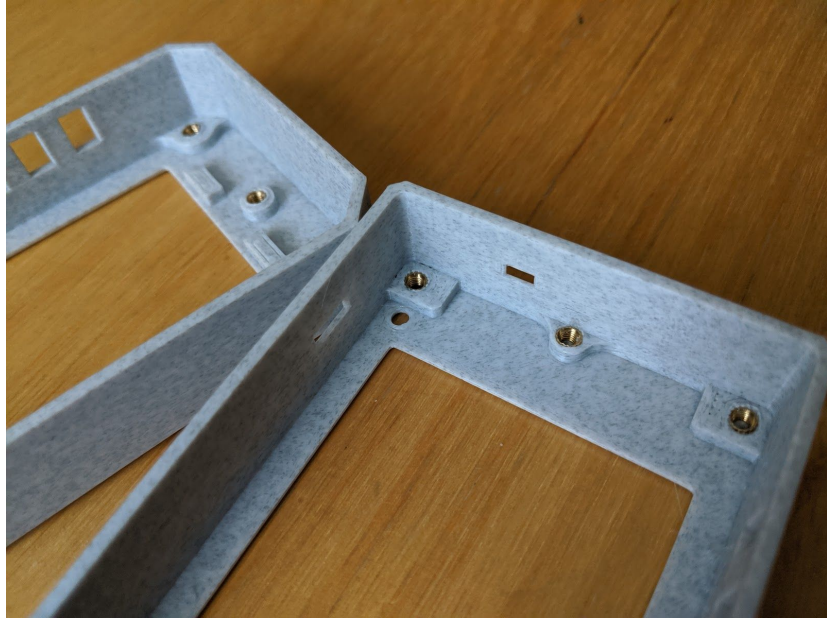
1. Solder all SMD components to the PCB first, using your preferred method
2. Solder the battery charger board to the pads SMD-style
3. Solder male leads to the D1 Mini board and to the bottom pads of the LCD board
4. Solder the D1 Mini board to the PCB
5. Cut off all protruding leads from the D1 Mini on the other side
6. Remove the SD card reader from the LCD display. This will interfere with other components on the PCB. A flush cutter works for this
7. Solder through-hole components (JST connector, LED)
8. Solder the LCD board to the PCB AT THE END. You won't be able to de-solder the D1 Mini after this
9. Cut off the bottom-side protruding male leads from the LCD board on the other side of the PCB
10. Cut two pieces of stranded wire around 8 cm (3 in) long each and strip the ends
11. Solder one of the wires to the anode (rod) of the SBM-20 tube
12. Use the Copper tape to attach the other wire to the body of the SBM-20 tube
13. Tin and solder the other ends of the wires to the through-hole pads on the PCB. Make sure the polarity is correct.
14. Upload the code to the D1 mini with your preferred IDE; I use VS Code with PlatformIO. If you download my GitHub page, it should work without needing any changes
15. Attach the battery to the JST connector and power on to see if it works!
16. 3D print the case and the cover
17. Insert the brass threaded inserts into the six hole locations in the case with a soldering iron
18. Install the assembled PCB to the case and secure with three 8mm screws. Two on top and one on the bottom
19. Place the Geiger tube on the empty side of the PCB (towards the grill) and secure with masking tape.
20. Insert the battery over the top, sitting over the SMD components. Guide the wires to the gap at the bottom of the case. Secure with masking tape.
21. Install the back cover using three M3 x 22 mm countersunk screws. Done!



Step 12: Closeup of the copper tape



Steps 19 and 20: Everything tucked in



Step 17: Brass inserts soldered into holes



The result!